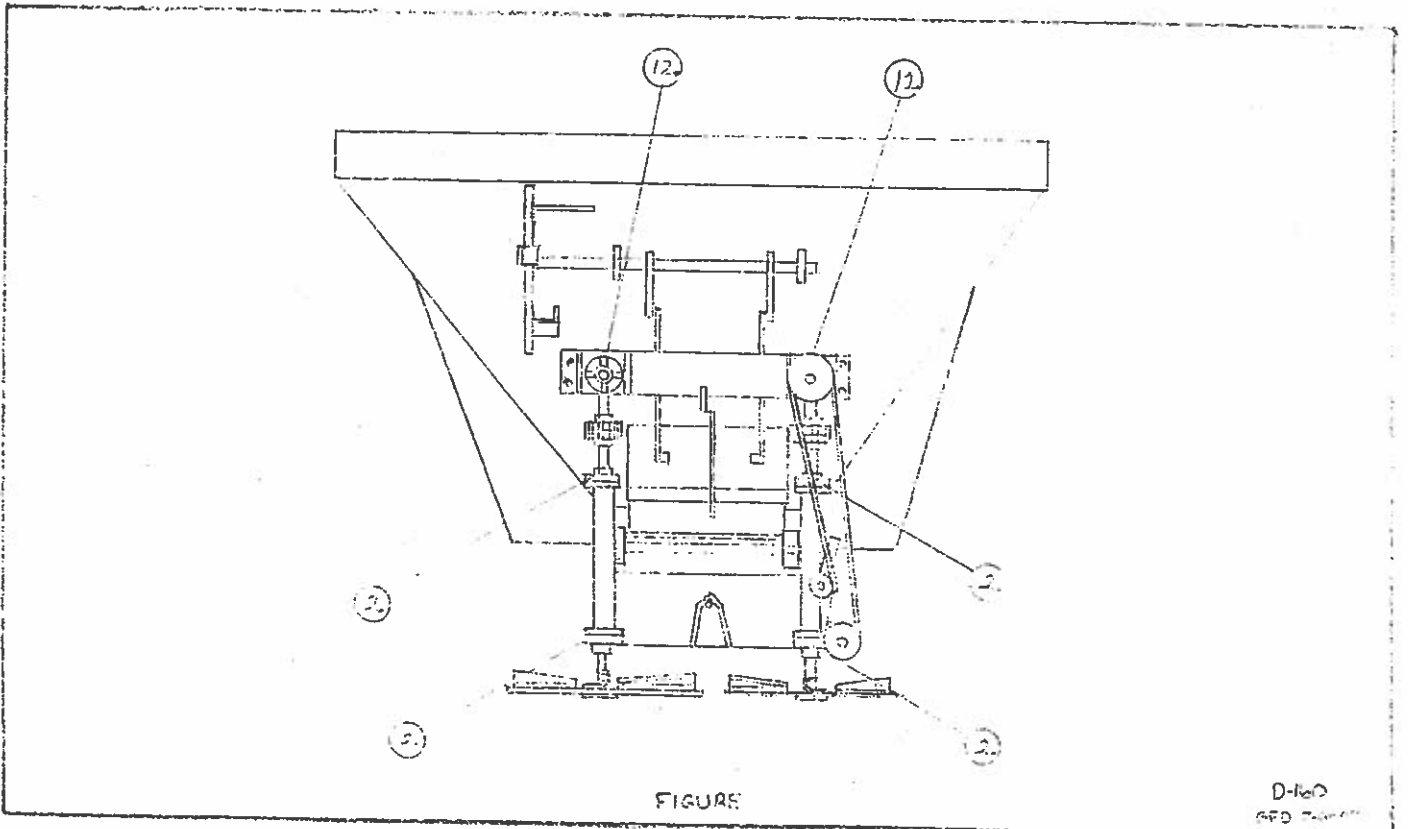
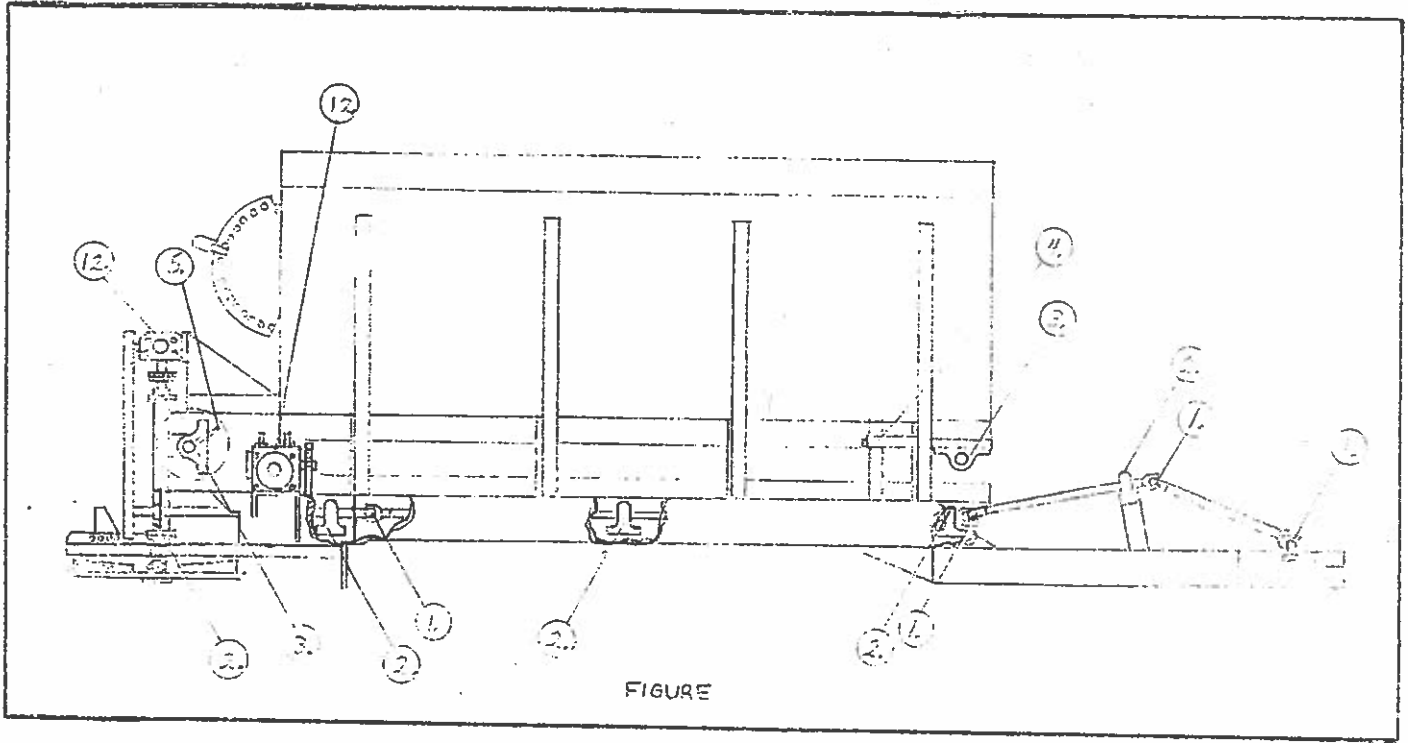


WET LINE SPREADER LUBRICATION 2 AND 5 TON



D-160
690 74000

